

# USB-C to Gigabit Ethernet Adapter with PD Charging

The USB-C to Gigabit Ethernet Adapter with PD Charging allows users to connect to a 10/100/1000Mbps network via USB-C port on PC or Laptop. No need to purchase an extra Gigabit network card and share a PCI or Cardbus slot. Compliant with USB 3.0 specification, this adapter ensures true 10/100/1000Mbps network speed without any compromise. With bus-power, the adapter can provide power supply from PC to the device. With self-power (PD charging function), the adapter can charge Laptop via downstream USB-C port.

## Features

- Upstream Port
  - USB -C male connector
- Downstream Port
  - RJ45 female connector
  - USB-C female connector: Only for power charging (Pass through from downstream USB-C to upstream)
- Bus-Powered / Self-Powered (via USB-C port)
- Supports 10/100/1000Mbps Gigabit Ethernet
- Supports Wake-on-LAN function
- Supports IEEE 802.3az (Energy Efficient Ethernet)
- Supports IPv4/IPv6 pack COE to reduce CPU loading

## System Requirements

- PC with USB-C interface
- Supported Operating System
  - Windows® 10
  - Mac OS®
  - Chrome OS™



## Package Content

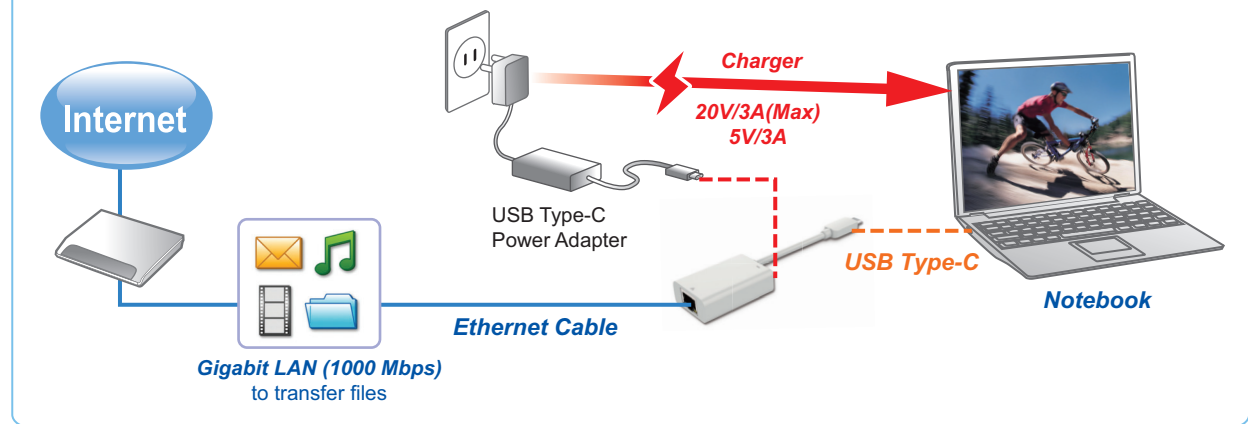
- USB-C to Gigabit Ethernet Adapter with PD Charging

## Specifications

User Interface	Upstream	USB-C male connector
	Downstream	RJ45 female connector x1 USB-C female connector x1 (Only for power charging)
Power Supply	Bus-Powered	
	Self-Powered (via USB-C port )	
Working Environment	Operation Temperature	0~40℃
	Storage Temperature	-20~70℃
Compliance	CE, FCC	

\* Specification is subject to change without further notice.

## Application



## GOOD WAY TECHNOLOGY CO., LTD.

3F, No. 135, Ln. 235, Baociao Rd., Sindian Dist., New Taipei City 231, Taiwan  
Tel: 886-2-8919-1200 Fax: 886-2-8919-1220~1

http://www.goodway.com.tw  
E-mail:sales@goodway.com.tw