

Serial ATA to IDE Converter



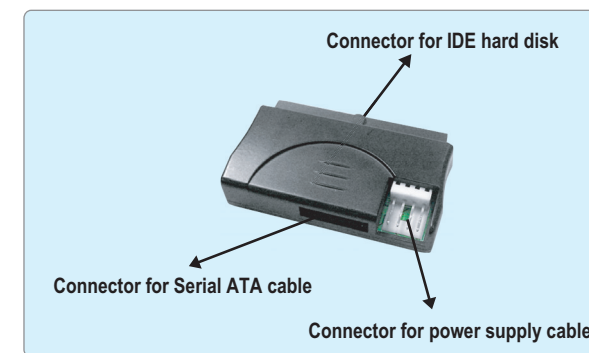
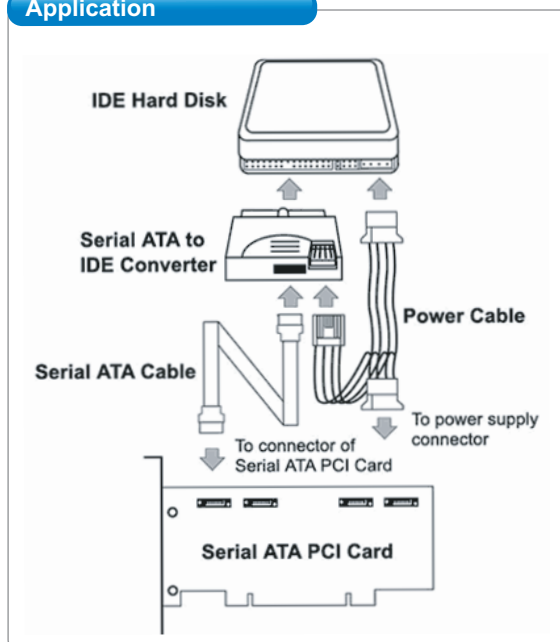
AD3300

The serial ATA to IDE converter allows standard parallel ATA hard disk drive, CD-ROM, CD-RW, DVD ROM, DVD + RW, etc, to be used with serial ATA PCI cards or motherboards with serial ATA port and meet the specification of Serial ATA 1.0 interface.

Features

- Compliance with Serial ATA Gen 1.0.
- Master/slave device emulation support.
- Support PIO mode 0~4.
- Support Ultra DMA mode 0~7.
- Support UDMA data transfer rates of up to 150MBps
- Support ATAPI Packet command set.
- Support 48-bit LBA addressing.
- Support additional ATA command for serial ATA SCR access.
- Serial ATA power save mode supported.
- Serial ATA BIST operation.
- Support hot-plug.

Application



Package Contents

- Serial ATA to IDE Converter x 1
- Serial ATA Cable x 1
- User's Manual x 1

System Requirements

Any OS supported when PC with available Ultra ATA hard disk (IDE) and available Serial ATA Host Port.



GOOD WAY TECHNOLOGY CO., LTD.

3F, No.135, Lane 235 Pau Chiao Rd., Hsin Tien, Taipei County, Taiwan

Tel: 886-2-8919-1200 Fax: 886-2-8919-1220~1 <http://www.goodway.com.tw> E-mail:sales@goodway.com.tw